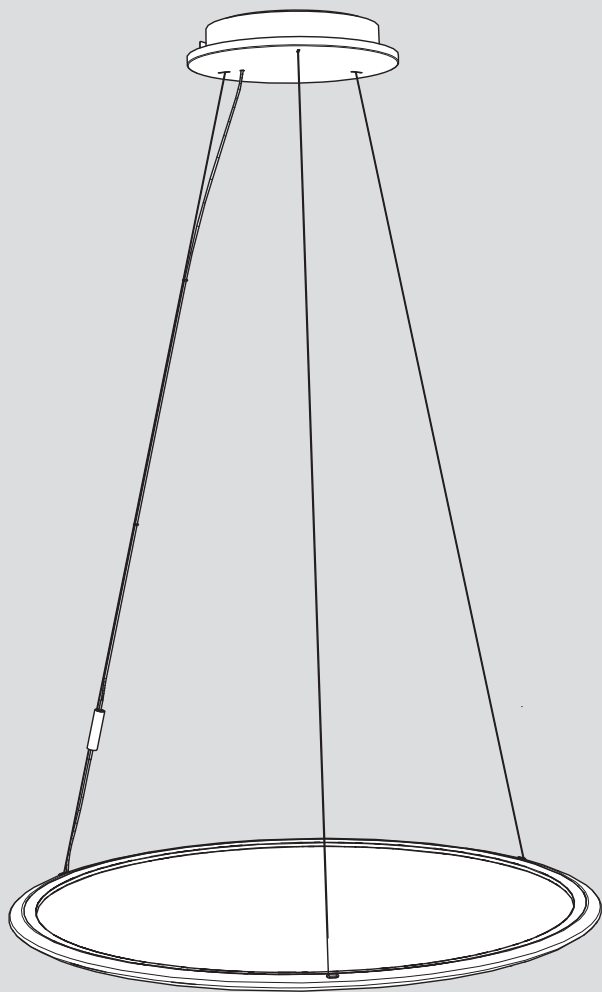


Artemide®

Discovery

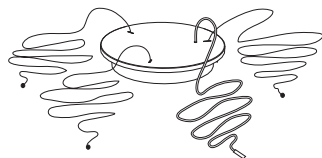
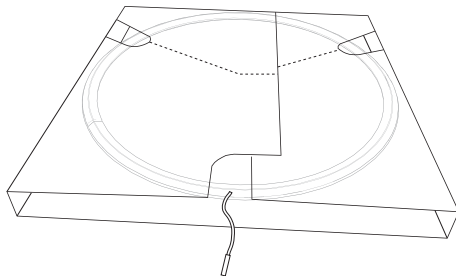
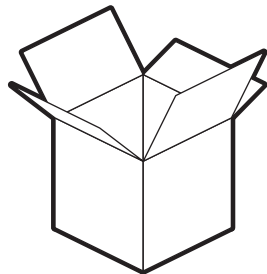
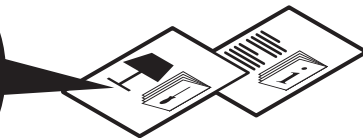
design
E. Gismondi

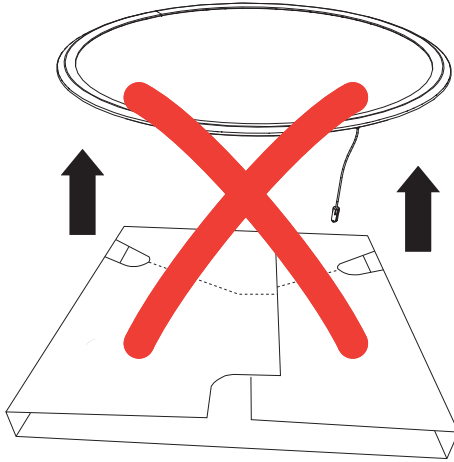




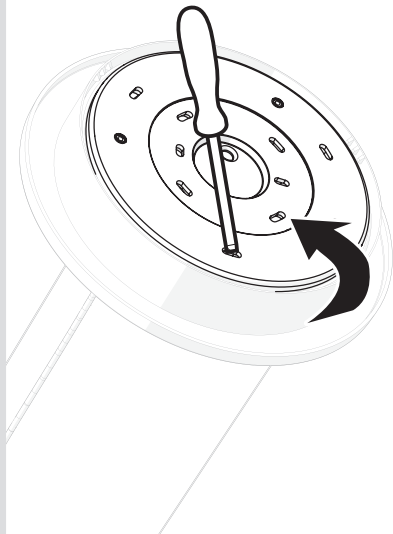
i

CE	IP20			
LED0				
?	→		→	

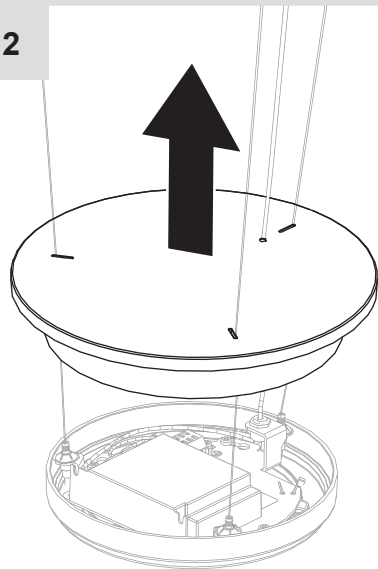




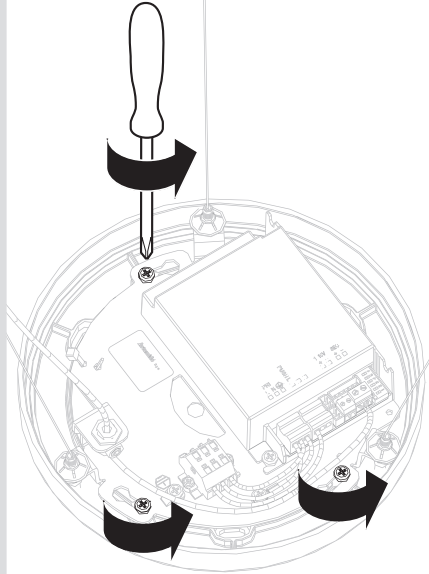
1



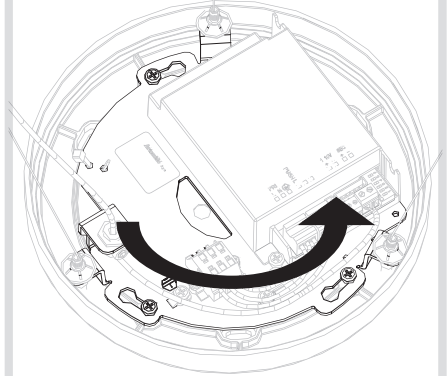
2



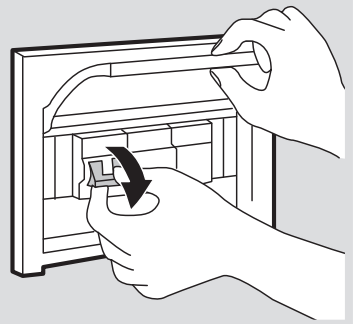
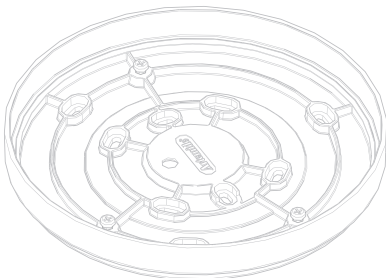
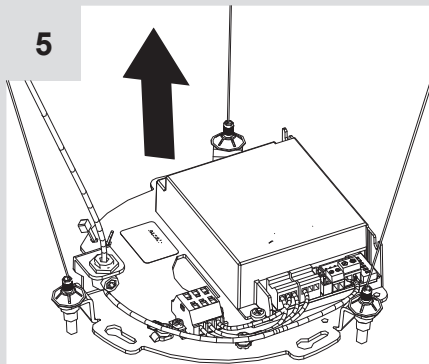
3



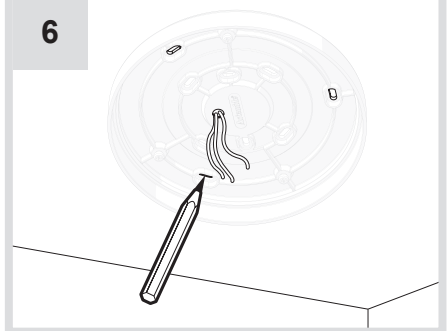
4



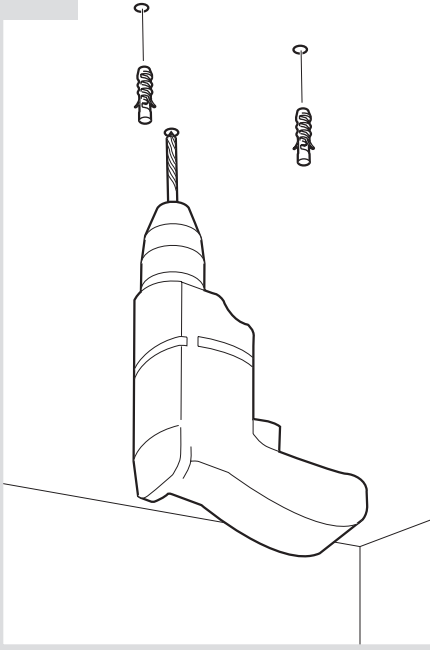
5



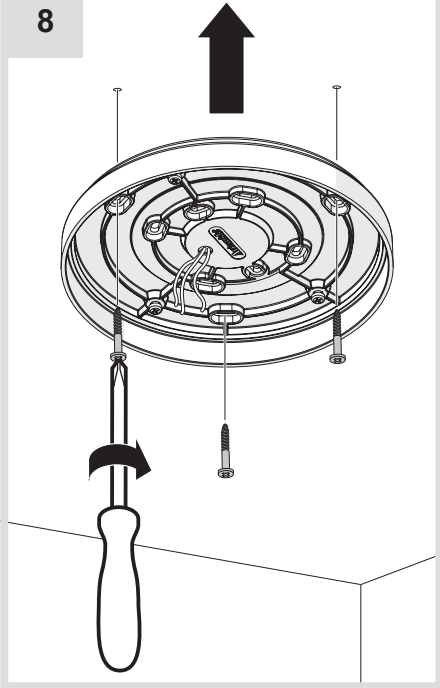
6



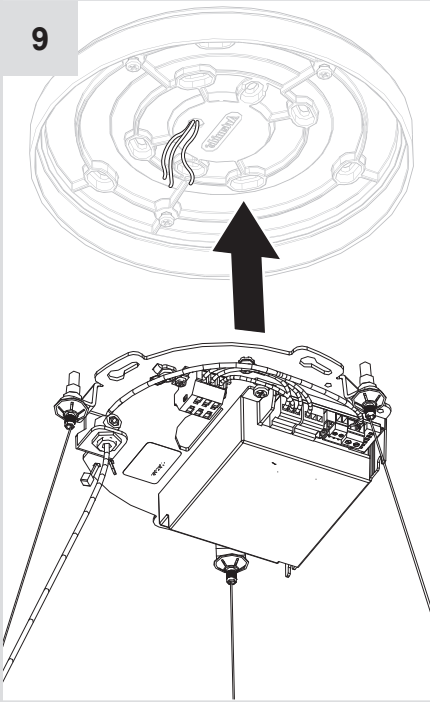
7



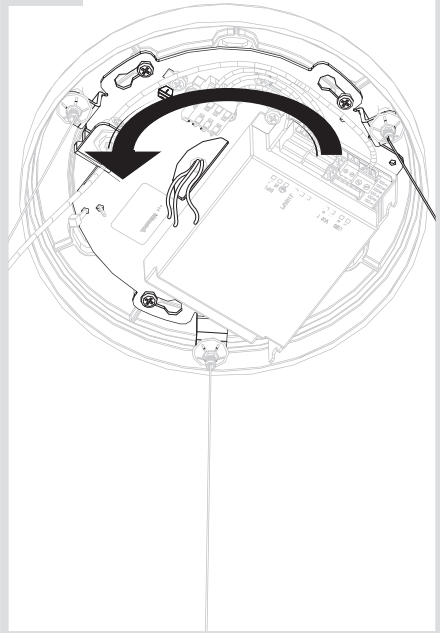
8



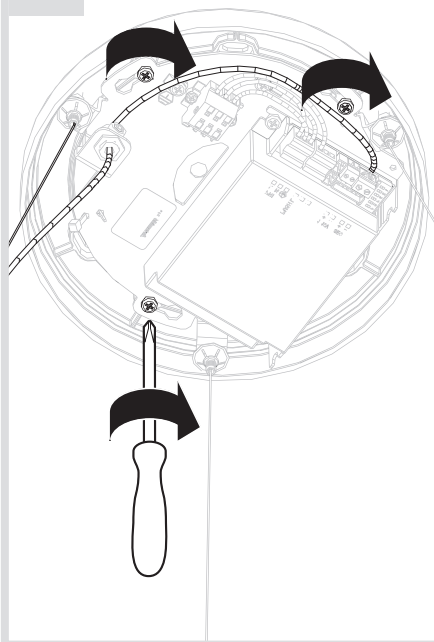
9



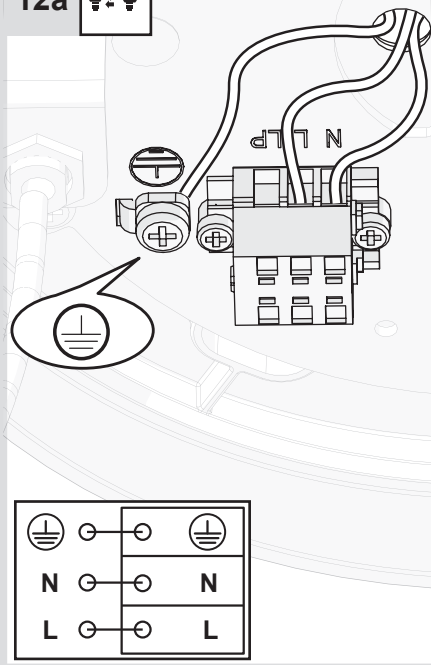
10



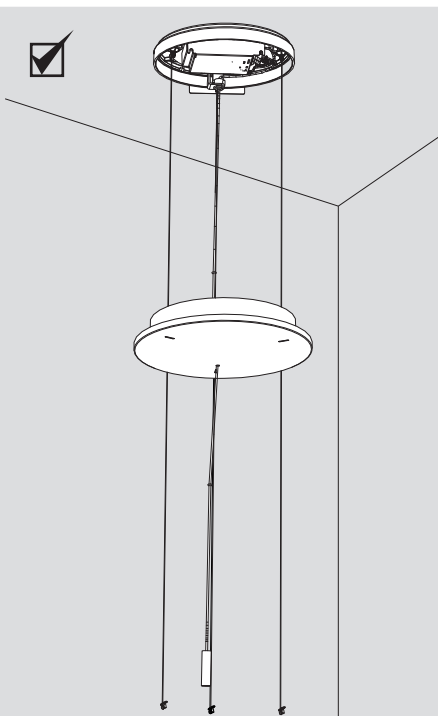
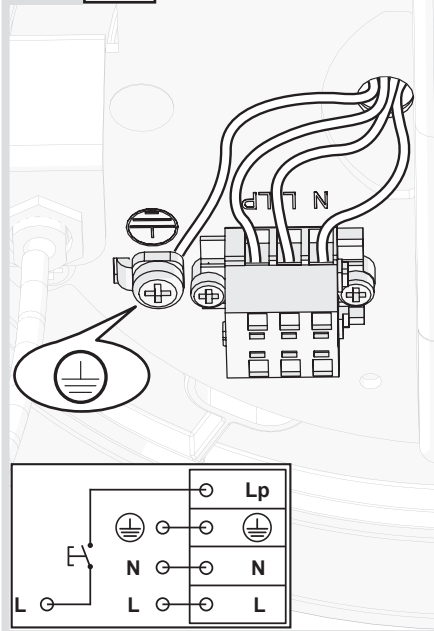
11



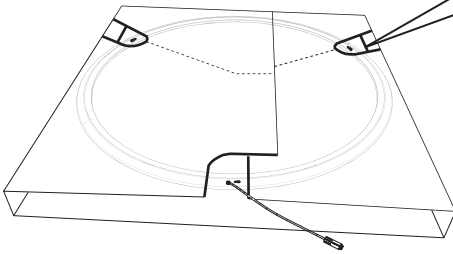
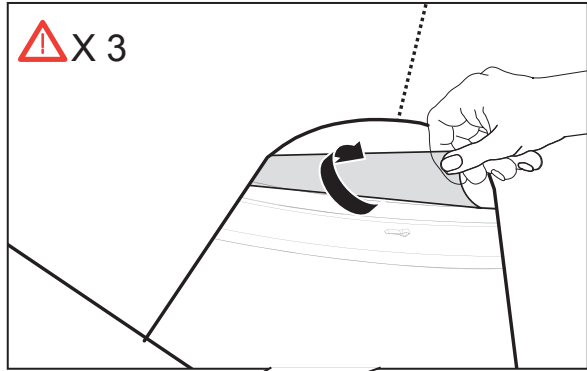
12a 



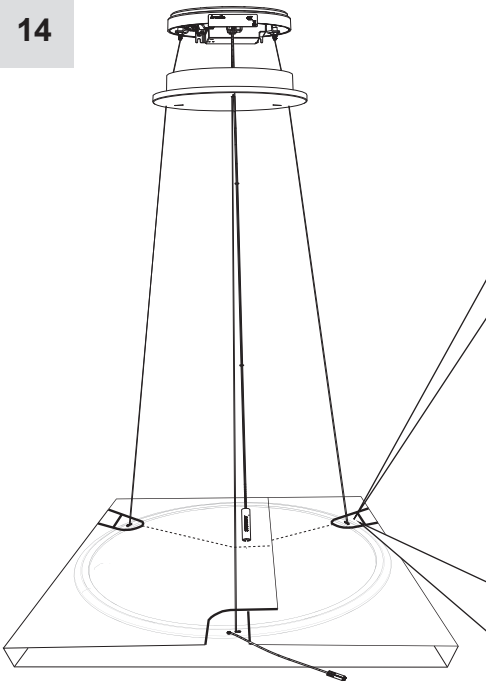
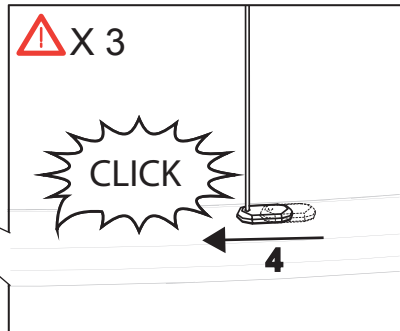
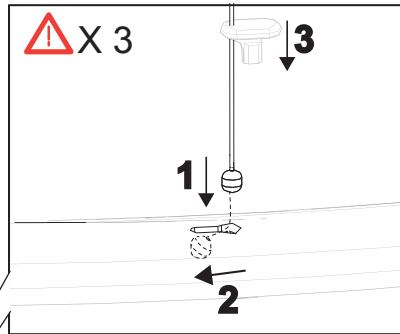
12b 

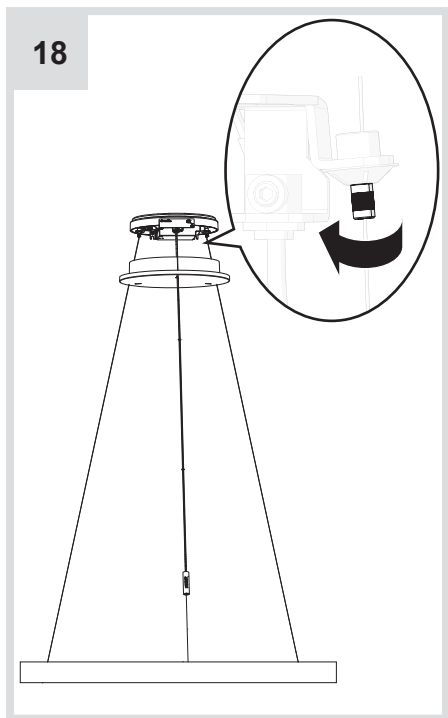
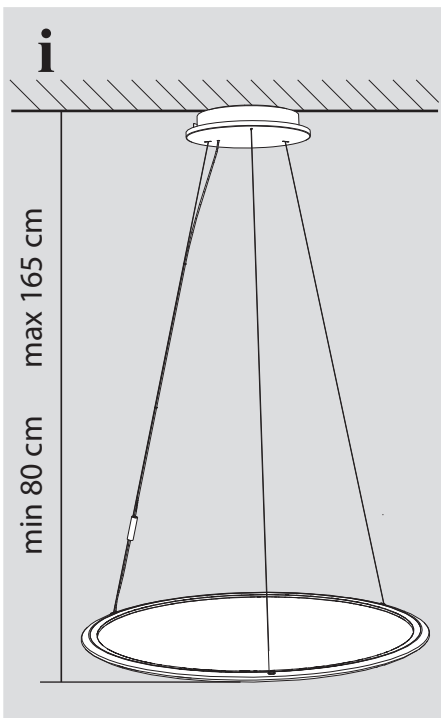
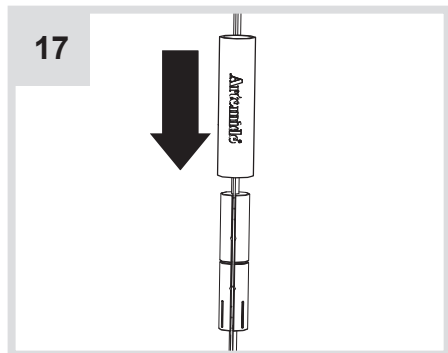
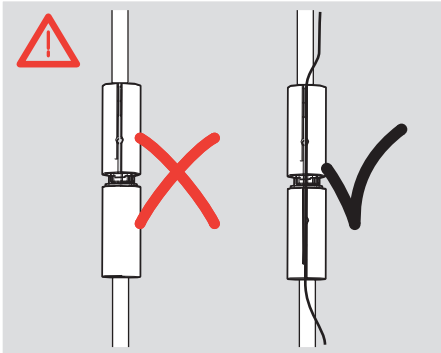
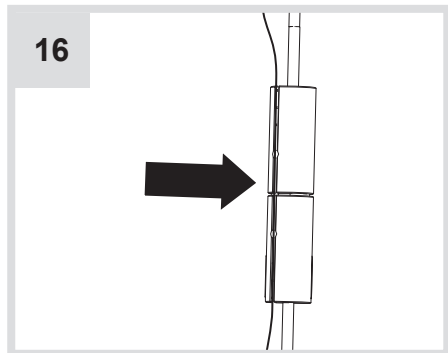
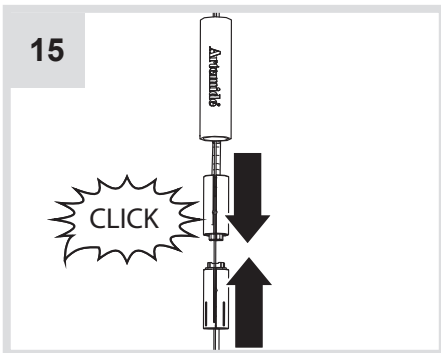


13

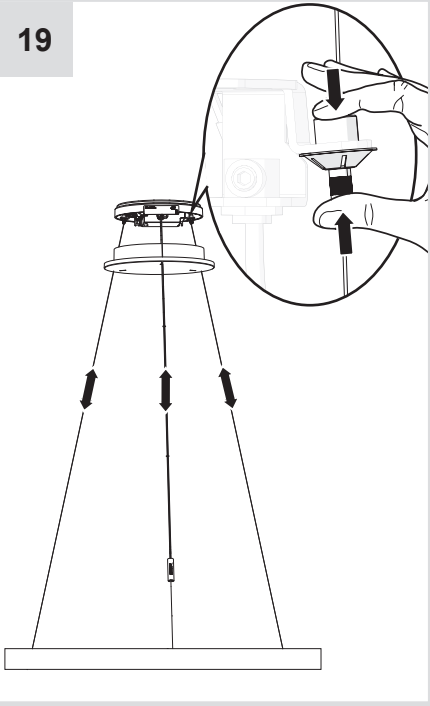


14

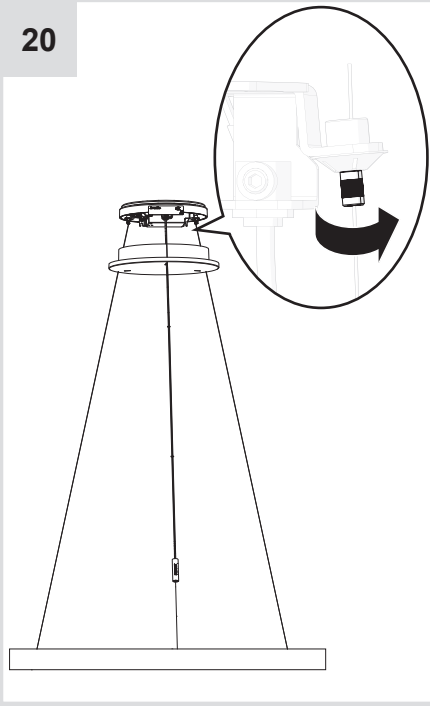




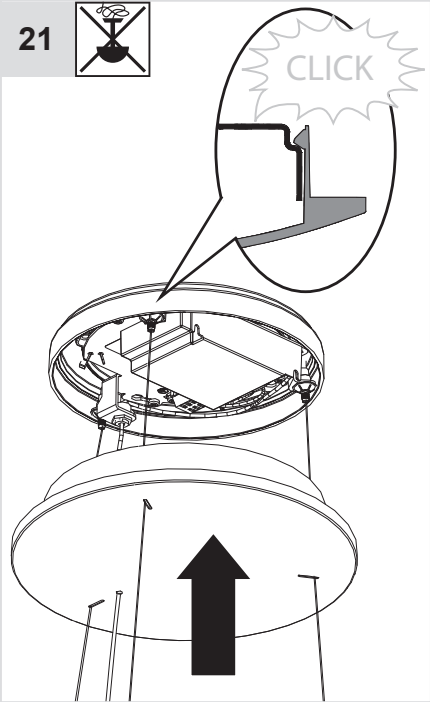
19



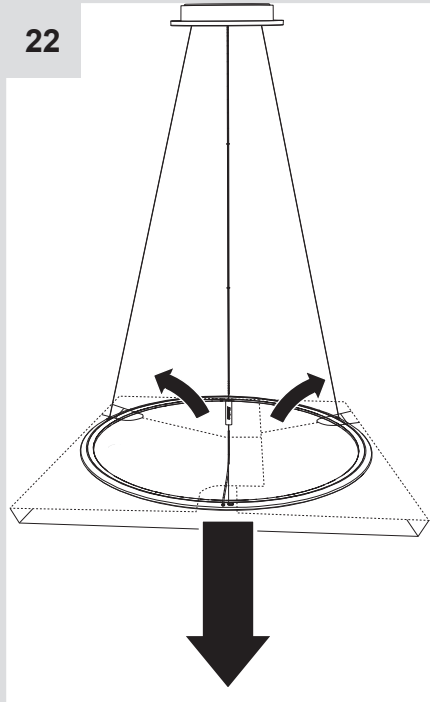
20



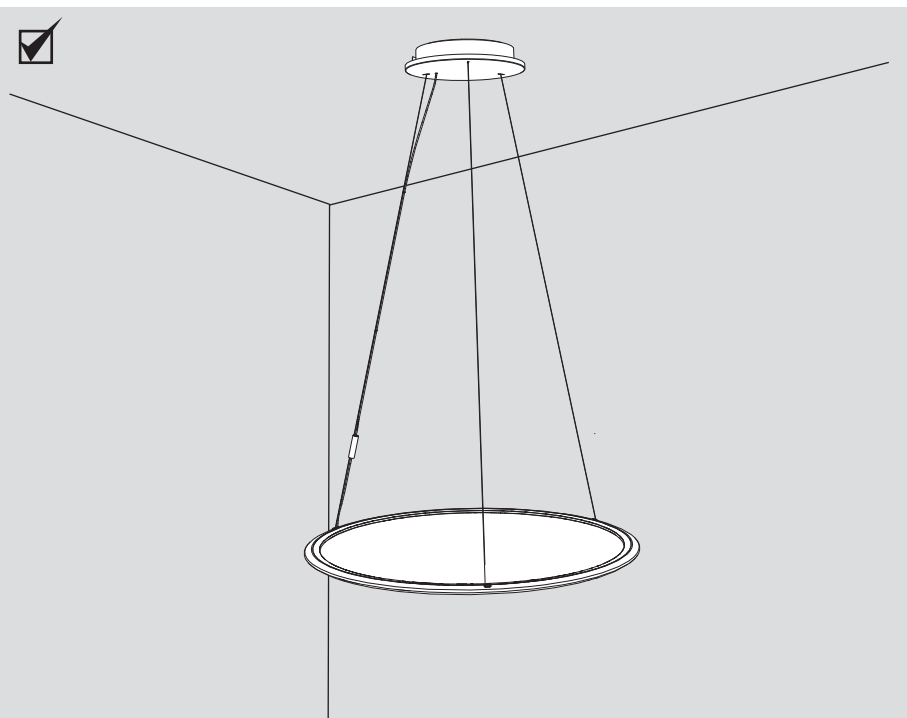
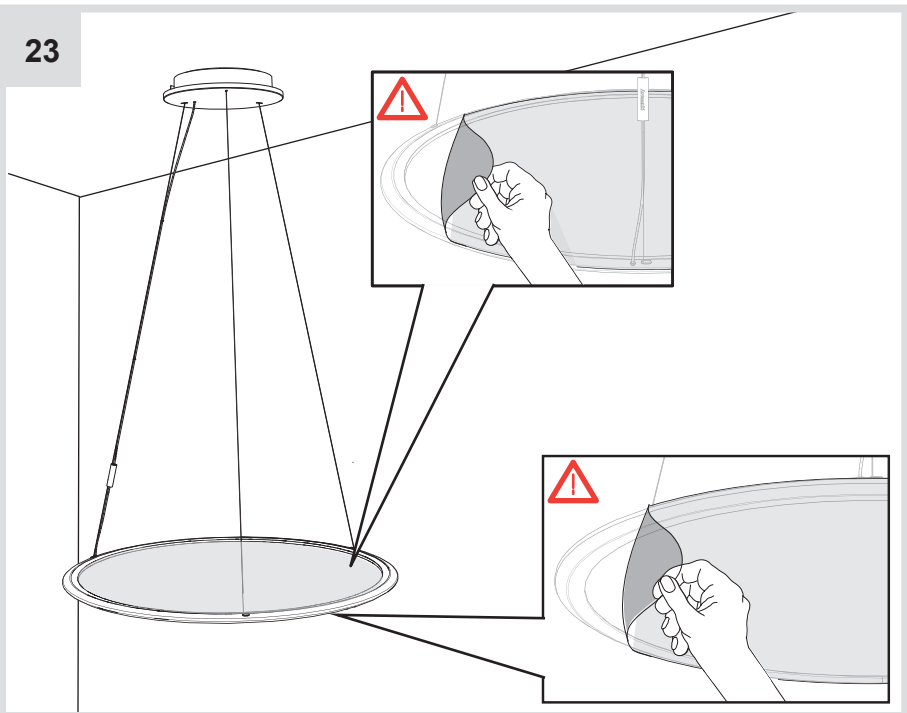
21



22

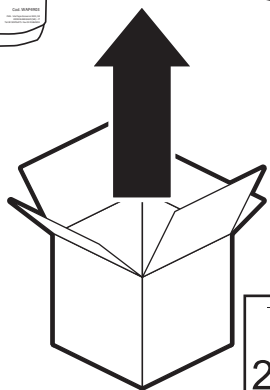


23

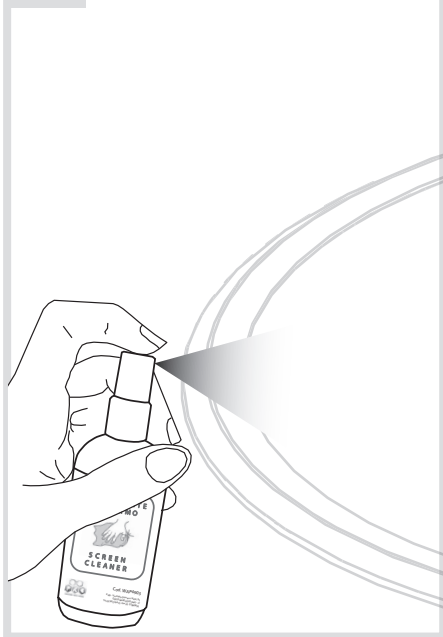




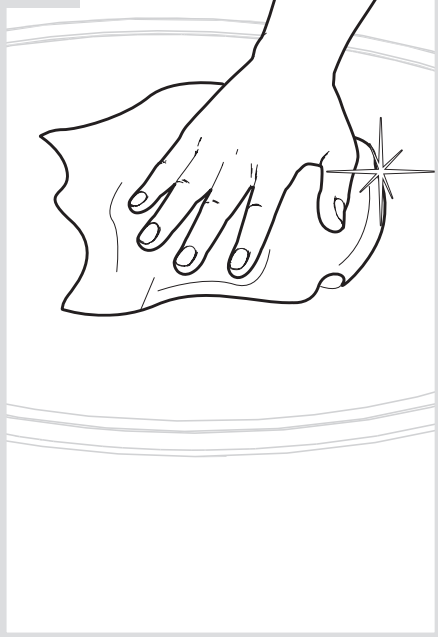
1



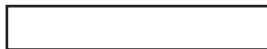
2



3



Artemide®



Artemide

via Bergamo, 18
20010 Pregnana M.se (MI)
ITALIA

tel. +39 02 935 181
fax +39 02 935 90 254
fax +39 02 935 90 496

www.artemide.com

VAT IT00846890150

cod. Y513000511